

« PARTS LIST »

EVINRUDE SPORTSMAN

MODELS 4414 - 4415 - 4416 - 4417

« INSTRUCTIONS ON HOW TO ORDER »

For their convenience, as well as ours, we ask our customers to carefully follow our instructions in ordering parts.

We also request that owners order their parts from our dealer or nearest service station or distributor.

Order by Part Number giving Name of part also.

Always Give the Serial Number of the Motor for which Part or Parts Required. This is very important, and is necessary to intelligently fill your order. If you cannot give the number of the motor, state when and from whom the motor was purchased.

Telegrams and How to Use "Evinrude Code". Telegram rates are based on ten words or less for immediate delivery. Day letter or night letter rates are considerably cheaper. Detailed information may be found on rear of any telegram blank.

Use the following code only on messages of more than ten words. Each five code letters are charged for as a word. English words and code words

may be used in the same message, but code letters cannot be combined with English words.

A-1	F-6	K-Each
B-2	G-7	P-Number
C-3	H-8	Q-Air mail
D-4	I-9	V-Air express
E-5	J-0	X-Express
		Y-Parcel post
		Z-Freight

Following is an example of a telegram not coded and the same reduced to code:

(Not Coded — 22 Words.) Parcel Post Two Number One Three Naught Naught Four Four Propeller Nut Twelve One Three Naught Naught Five Three Shear Pins.

(Coded — 8 Words.) YBPAC JJDD Propeller Nut ABPAC JJEC Shear Pins.

Do not use this code in cable messages.

ROUTING — TERMS — RETURNS

Shipping Instructions. Unless specific instructions accompany the order, we will use our own judgment as how to ship.

Terms: Cash with Order or C. O. D.

In ordering parts, to avoid C. O. D. shipments and extra charges, all orders should be accompanied by cash. Save time and money by remitting sufficient cash to cover cost of parts and **Transportation Charges**. Stamps are accepted in payment of all orders not over \$1.00. The right to hold all

orders unaccompanied by cash is reserved by Evinrude Motors, Milwaukee.

A minimum charge of \$0.50 net will be made on all orders amounting to less than this amount. We reserve the right to furnish additional parts to make up the difference.

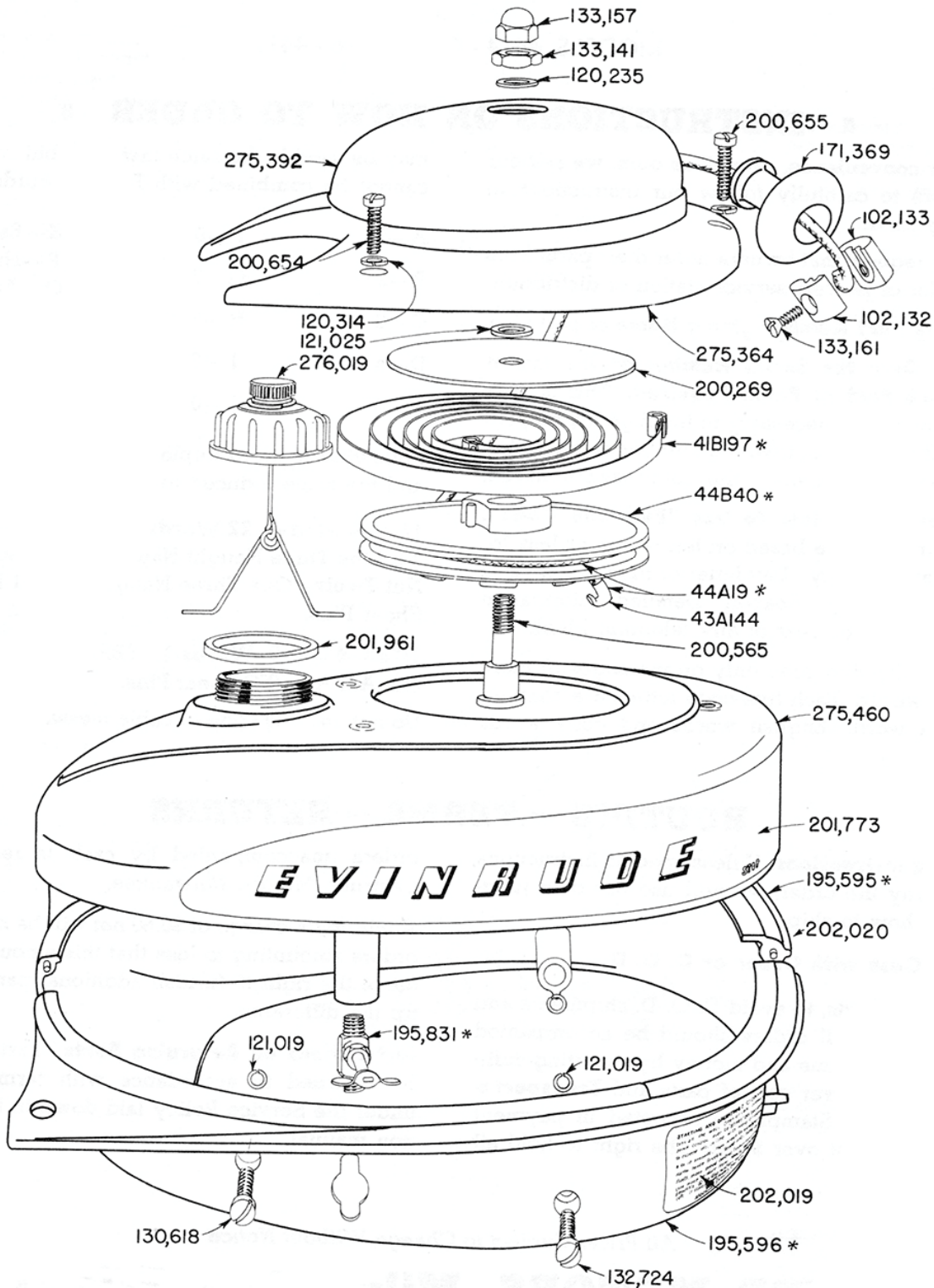
Instructions on Returning Parts. Parts can only be returned in accordance with terms outlined under the Service Policy laid down in the instruction manual.

All Prices Subject to Change Without Notice

EVINRUDE MOTORS, Milwaukee, Wis., U.S.A.

Cable Address "EVINRUDE"

**LIST OF PARTS FOR EVINRUDE SPORTSMAN MOTOR
SIMPLEX STARTER—FUEL TANK**
Descriptions on Page 7

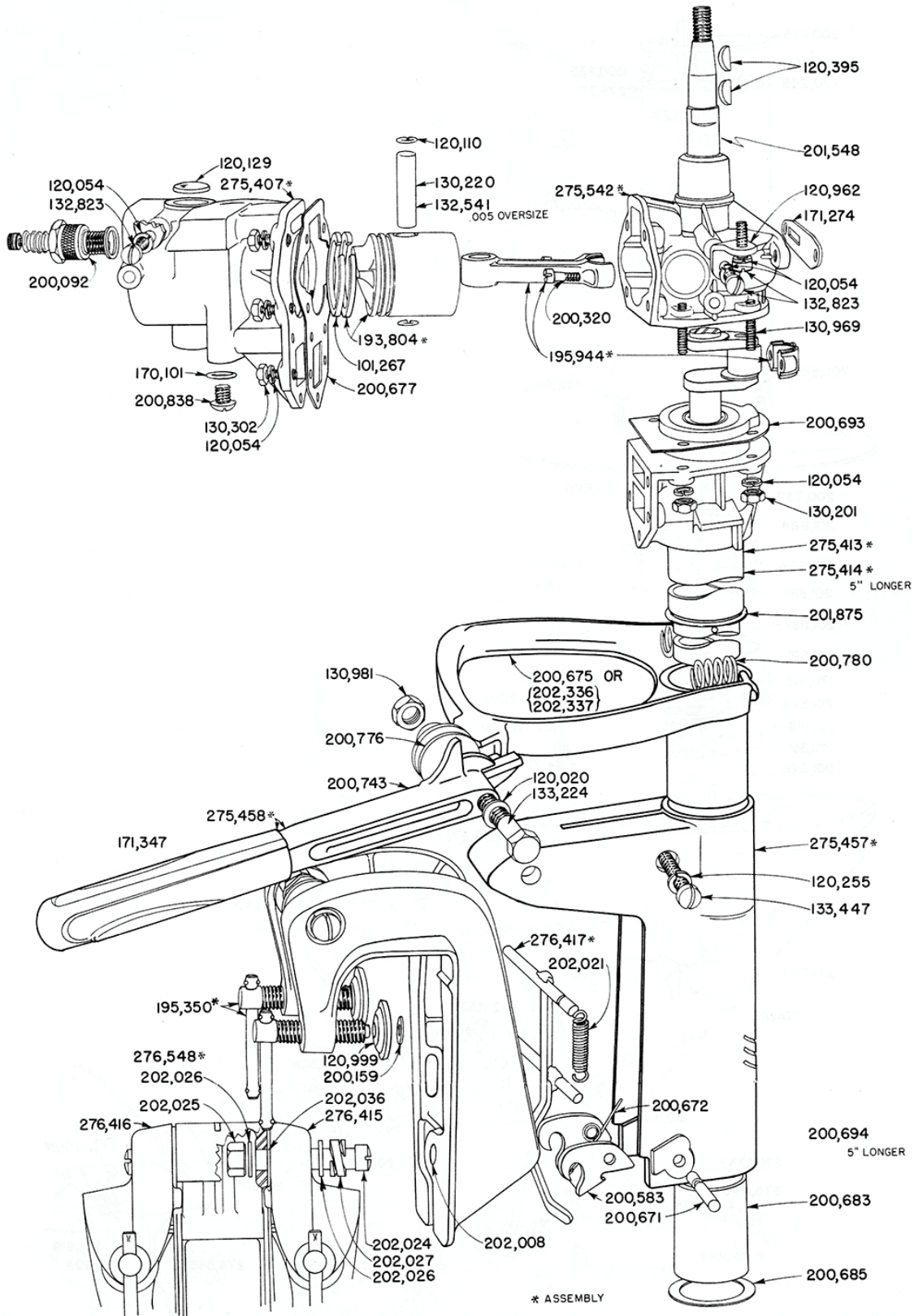


* ASSEMBLY

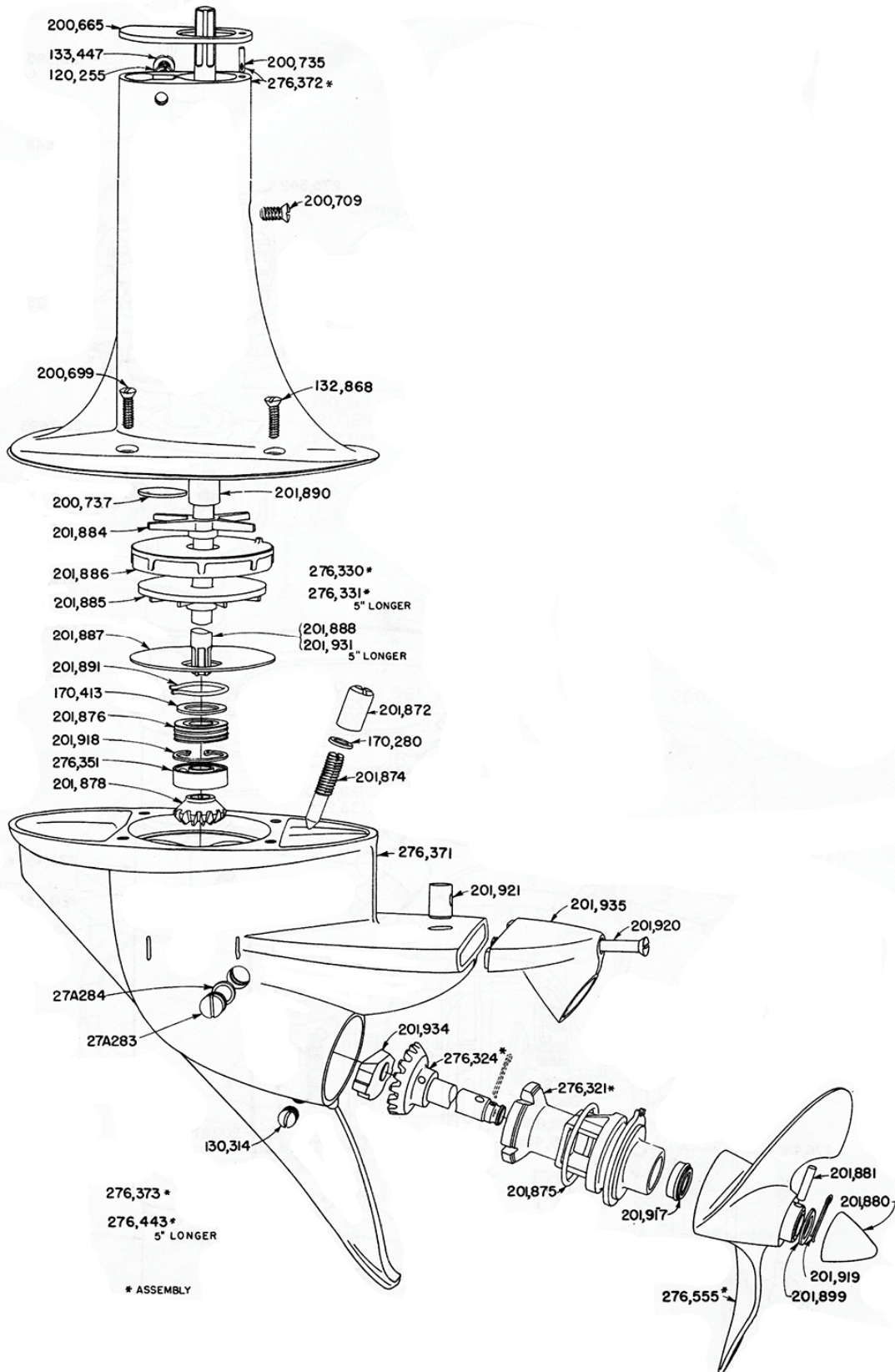
LIST OF PARTS FOR EVINRUDE SPORTSMAN MOTOR

MOTOR HEAD—BRACKET—STEERING—PIVOT BEARING

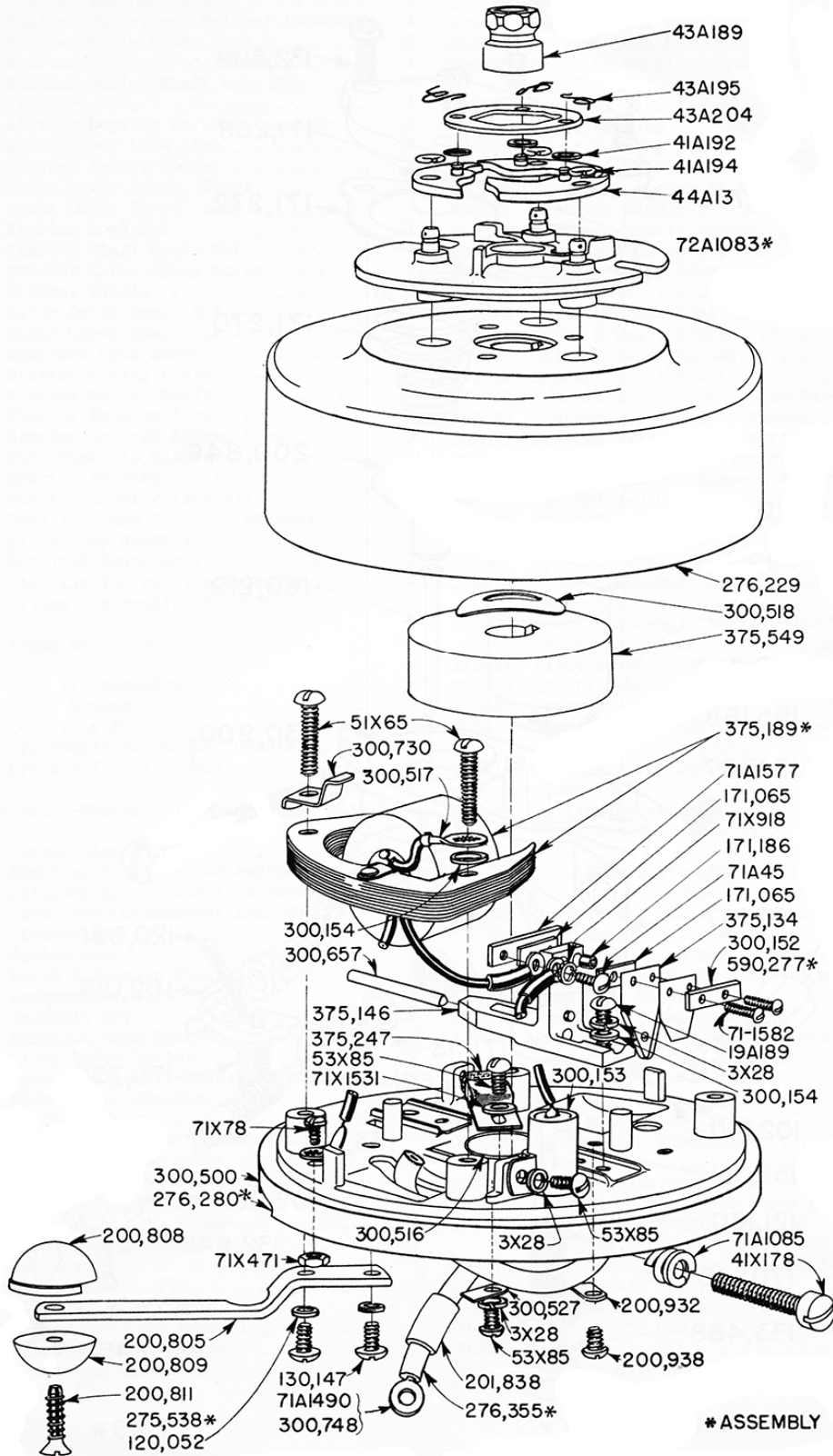
Descriptions on Page 7



**LIST OF PARTS FOR EVINRUDE SPORTSMAN MOTOR
PUMP BODY—GEAR HOUSING**
Descriptions on Pages 7 and 8



**LIST OF PARTS FOR EVINRUDE SPORTSMAN MOTOR
FLYWHEEL—ARMATURE BASE
Descriptions on Page 8**



Part No.	Description	(No. Used)	Part No.	Description	(No. Used)
SIMPLEX STARTER -- FUEL TANK (Page 2)			MOTOR HEAD--BRACKET--STEERING--PIVOT BEARING --Continued		
41B197	Starter Spring Assembly	1	200159	Clamp Screw Button Washer	2
43A144	Starter Rope Anchor	1	200320	Conn. Rod Screw	1
44A19	Starter Rope Assembly	1	200583	Reverse Lock.	1
44B40	Starter Pulley and Ratchet Assembly	1	200671	Reverse Lock Pin.	1
102132	Starter Cable Clamp Ctsk.	1	200672	Reverse Lock Spring	1
102133	Starter Cable Clamp Tapped.	1	200675	Steering Handle Support to Motors 30,000	1
120235	Starter Pulley Shaft Lock Nut Washer	1	200677	Cylinder Gasket	1
120314	Starter Housing Screw Lockwasher. .	3	200683	Pivot Bearing Bushing	1
121019	Motor Cover Lock Ring	2	200685	Pivot Bearing Spacer.	1
121025	Starter Pulley Spacer	1	200693	Crankcase Gasket.	1
130618	Motor Cover Screw, Short.	1	200694	Pump Body Spacer 5" Longer.	1
132724	Motor Cover Screw, Long	1	200743	Steering Handle	1
133141	Starter Lock Nut.	1	200776	Steering Handle Washer.	1
133157	Starter Shaft Acorn Nut	1	200780	Pilot Spring.	2
133161	Starter Cable Clamp Screw	1	200838	Cylinder Plug Screw	1
171369	Starter Handle.	1	201548	Crankshaft.	1
195595	Motor Cover Assy. R.H	1	201875	Pivot Bearing Seal.	1
195596	Motor Cover Assy. L.H	1	202008	Stern Bracket Rivet	1
195831	Shut-Off Cock Assy.	1	202021	Tilting Lever Spring.	1
200269	Starter Spring Plate.	1	202024	Bracket Tilting Bolt.	2
200565	Starter Pulley Shaft.	1	202025	Bracket Tilting Bolt Lock Nut	2
200654	Starter Housing Screw, Short.	2	202026	Bracket Tilting Bolt Washer	4
200655	Starter Housing Screw, Long	1	202027	Bracket Tilting Bolt Spring	1
201961	Fuel Tank Cap Gasket.	1	202036	Pivot Bearing Friction Washer	2
275364	Starter Housing and Anchor Assy . .	1	202336	Steering Handle Support to Motors 30,001 and Up.	1
275392	Starter Housing Assembly.	1	202337	Pivot Bearing Liner to Motors 30,001 and Up.	1
275460	Fuel Tank and Transfer Assembly . .	1	275407	Cylinder and Plug Assembly.	1
276019	Filler Cap Assembly	1	275413	Lower Crankshaft Bearing and Tube Assembly	1
201773	Gas Tank Transfer	1	275414	Lower Crankshaft Bearing and Tube Assy. 5" Longer.	1
202019	Starting Instruction Transfer	1	275457	Pivot Bearing Assembly.	1
202020	Oiling Instruction Transfer	1	275458	Steering Handle Assembly.	1
Items Not Shown			275542	Crankcase Assembly.	1
276385	Tool Kit Assembly	1	276415	Stern Bracket and Clamp Screw Assy. R.H.	1
120970	Motor Wrench.	1	276416	Stern Bracket and Clamp Screw Assy. L.H.	1
200552	Centering Pin	1	276417	Tilting Lever Assy.	1
43A252	Crankshaft Nut Socket Handle.	1	276548	Stern Bracket Assembly.	1
43A253	Crankshaft Nut Socket	1	PUMP BODY--GEAR HOUSING (Page 4)		
MOTOR HEAD--BRACKET--STEERING--PIVOT BEARING (Page 3)			27A283	Grease Plug	1
101267	Piston Ring	2	27A284	Gear Housing Plug Washer.	1
120020	Steering Handle Screw Washer.	1	120255	Pump Body Clamp Screw Lockwasher. .	1
120054	Cylinder Screw, Gasoline Tank Screw and Lower Crankshaft Brg. Stud Nut Lockwasher	16	130314	Gear Housing Drain Plug	1
120110	Spring Ring	1	132868	Pump Body Screw, Rear	2
120129	Welch Expansion Plug.	2	133447	Pump Body Clamp Screw	1
120255	Lockwasher.	3	170280	Prop. Shaft Bearing Hsg. Locking Screw Gasket	1
120395	Woodruff Key.	2	170413	Drive Shaft Seal Washer	1
120962	Gasoline Tank Bracket	2	200665	Pump Body Cover	1
120999	Clamp Screw Button.	2	200699	Pump Body Screw, Front.	2
130201	Lower Crankshaft Bearing Stud Nut .	4	200709	Drive Shaft Tube Screw.	1
130220	Piston Pin, Standard.	1	200735	Dowel Pin	1
130302	Cylinder Screw.	6	200737	Welch Expansion Plug.	1
130969	Lower Crankshaft Bearing Stud	4	201872	Bearing Housing Lock Screw Cap. . . .	1
130981	Steering Handle Screw Jam Nut	1	201874	Prop. Shaft Bearing Housing Locking Screw.	1
132541	Piston Pin .005 Oversize.	1	201875	Prop. Shaft Bearing Housing Seal. . .	1
132823	Gasoline Tank Screw	6	201876	Drive Shaft Seal.	1
133224	Steering Handle Screw	1	201878	Driveshaft Pinion	1
133447	Pivot Bearing Clamp Screw	1	201880	Ring. Shaft Cap	1
170101	Cylinder Plug Screw Gasket.	1	201881	Prop. Shear Pin	1
171274	Carb. Gasket.	1	201884	Pump Impeller (Upper)	1
171347	Steering Handle Grip.	1	201885	Pump Impeller (Lower)	1
193804	Piston and Ring Assembly.	1			
195350	Clamp Screw Assembly.	2			
195944	Conn. Rod Assembly.	1			
200092	Spark Plug.	1			

Part No.	Description	(No. Used)	Part No.	Description	(No. Used)
PUMP BODY--GEAR HOUSING--Continued			FLYWHEEL--ARMATURE BASE--Continued		
201886	Pump Deflector.	1	200809	Armature Base Handle Ball (Lower Half).	1
201887	Pump Plate.	1	200811	Armature Base Handle Ball Screw	1
201888	Driveshaft Only	1	200932	Hi-Tension Cable Clamp.	1
201890	Driveshaft Bushing.	1	200938	Hi-Tension Cable Clamp Screw.	1
201891	Driveshaft Seal Lock Ring	1	201838	Hi-Tension Cable Marker.	1
201899	Prop. Shaft Washer.	1	275538	Armature Base Handle Assembly	1
201917	Prop. Shaft Seal.	1	276229	Flywheel Assembly	1
201918	Retainer Ring	1	276280	Armature Base Assembly.	1
201919	Prop. Shaft Cotter Pin.	1	276355	Hi-Tension Cable Assembly	1
201920	Exhaust Outlet Screw.	1	300152	Terminal Bar.	1
201921	Exhaust Outlet Plug	1	300153	Condenser	1
201931	Driveshaft Only 5" Longer	1	300154	Breaker & Lamination Screw Washer	2
201934	Prop. Shaft Thrust Bearing.	1	300500	Armature Plate Only	1
201935	Exhaust Outlet.	1	300516	Armature Base Bearing Shim.	1
276321	Prop. Shaft Bearing Assembly.	1	300517	Lead (Coil to Breaker).	1
276324	Prop. Shaft and Gear Assembly	1	300518	Rotor Spring Washer	1
276330	Driveshaft Assembly	1	300527	Hi-Tension Cable Clamp.	1
276331	Driveshaft Assy. 5" Longer.	1	300657	Breaker Push Rod.	1
276351	Driveshaft Ball Bearing Assembly.	1	300730	Safety Gap Clip	1
276371	Gear Housing and Exhaust Outlet Assy	1	300748	Terminal (Outer).	1
276372	Pump Body and Pin Assy.	1	375134	Breaker Spring and Point Assembly	1
276373	Gear Housing Assembly with Propeller.	1	375146	Breaker Bracket and Point Assembly.	1
276443	Gear Housing Assembly 5" Longer with Propeller	1	375189	Coil and Lamination Assembly.	1
276555	Propeller Assembly.	1	375247	Oiler and Felt Assembly	1
			375549	Rotor Assembly.	1
			590277	Breaker Assembly.	1
			71-1582	Terminal Bar Screw.	2
FLYWHEEL--ARMATURE BASE (Page 5)			CARBURETOR--GAS LINE (Page 6)		
3X28	Breaker and Clamp Mounting Lock-washer	3	13A307	Compression Nut	1
19A189	Breaker Mounting Screw.	1	102015	Carburetor Adjusting Lever.	1
41X178	Clamp Screw	1	102018	Carburetor Primer Lever	1
41A192	Starter Equalizer Washer.	3	102019	Carburetor Primer Cam	1
41A194	Pawl Pin Snap Ring.	3	102130	Elbow	1
43A189	Crankshaft Nut.	1	120091	Primer Lever Cotter Pin	1
43A195	Starter Pawl Spring	3	120813	Float Lock.	2
43A204	Starter Equalizer	1	121180	Strainer Screen	1
44A13	Starter Pawl.	3	130494	Compression Sleeve.	1
51X65	Lamination Mounting Screw	2	130900	Carburetor Screw.	2
53X85	Condenser, Oiler and Lead Clamp Mounting Screw	3	132351	Carburetor Inlet Needle	1
71A45	Breaker Spring Screw.	1	132509	Carb. Cover Screw	4
71X78	Terminal Screw.	1	132645	Adjusting Lever and Primer Lever Cam Lock Screw	2
71X471	Terminal Screw Nut.	1	132691	Carb. Adjusting Needle Gland.	1
71X918	Lockwasher.	1	132968	Primer Lever Shaft.	1
71A1085	Armature Base Clamp Screw Spring.	1	133136	Carb. Adjusting Needle.	1
71A1490	Terminal, Inner	1	133488	Strainer Body Plug.	1
71X1531	Oiler Mounting Washer	1	160219	Carb. Check Valve Relief Pin.	1
71A1577	Bar Nut	1	170730	Carb. Lever Spring.	1
72A1083	Starter Drum Assembly (Includes Pawls, Springs, etc.).	1	170945	Carb. Channel Plug Washer	1
120052	Armature Base Handle Screw Lock-washer	2	171113	Carb. Adjusting Needle Packing.	1
130147	Armature Base Handle Screw.	2	171268	Carb. Check Valve Bumper.	1
171065	Breaker Armature Spring Insulating Plate.	2	171270	Carb. Check Valve Spring.	1
171186	Breaker Armature Insulating Bushing	1	171271	Carb. Float	1
200805	Armature Base Handle.	1	171272	Carb. Body Cover Gasket	1
200808	Armature Base Handle Ball (Upper Half).	1	194775	Carb. Body Cover Assy	1
			195147	Carb. Body Assembly	1
			195149	Carburetor Assy	1
			195168	Fuel Pipe Assembly.	1
			200846	Check Valve	1